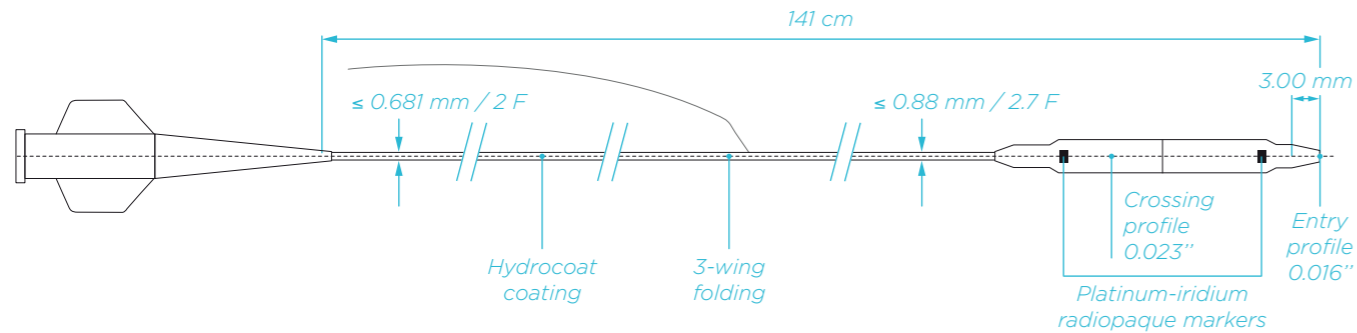


TECHNICAL SPECIFICATIONS



REFERENCES

SC diameter (mm)	NC diameter (mm)	Length (mm)					
		6	10	15	20	25	30
1.25		0067001	0067002	0067003			
1.50		0067101	0067102	0067103			
2.00	2.25		0067201	0067202	0067203	0067204	0067205
2.25	2.50		0067221	0067222	0067223	0067224	0067225
2.50	2.75		0067251	0067252	0067253	0067254	0067255
2.75	3.00	0067271	0067272	0067273	0067274	0067275	0067276
3.00	3.50	0067301	0067302	0067303	0067304	0067305	0067306
3.50	4.00	0067351	0067352	0067353	0067354	0067355	0067356
4.00	4.50	0067401	0067402	0067403			

COMPLIANCE CHART

p (atm)	Diameter (mm)		p (atm)	Diameter (mm)								p (atm)					
	SC 1.25	SC 1.50		SC 2.00	SC 2.25	SC 2.50	SC 2.75	SC 3.00	SC 3.50	SC 4.00	NC 2.25		NC 2.50	NC 2.75	NC 3.00	NC 3.50	NC 4.00
6	1.21	1.44	6	1.92	2.17	2.42	2.67	2.86	3.36	4.00	6						
7	1.23	1.47	7	1.96	2.21	2.46	2.71	2.93	3.43	4.08	7						
8	1.25	1.50	8	2.00	2.25	2.50	2.75	3.00	3.50	4.17	8						
9	1.27	1.53	9	2.04	2.29	2.54	2.79	3.08	3.58	4.25	9						
10	1.29	1.56	10	2.08	2.33	2.58	2.83	3.17	3.67	4.33	10						
11	1.31	1.58	11	2.13	2.38	2.63	2.88	3.25	3.75	4.42	11						
12	1.34	1.61	12	2.17	2.42	2.67	2.92	3.33	3.83	4.50	12						
13	1.36	1.64	13	2.21	2.46	2.71	2.96	3.42	3.92	4.53	13						
14	1.38	1.67	14	2.25	2.50	2.75	3.00	3.50	4.00	4.57	14						
15	1.40	1.69	15	2.28	2.53	2.78	3.03	3.53	4.03	4.60	15						
16	1.42	1.72	16	2.30	2.55	2.81	3.06	3.56	4.06	4.64	16						
			17	2.33	2.58	2.84	3.08	3.59	4.09	4.67	17						
			18	2.36	2.61	2.87	3.11	3.62	4.12	4.71	18						
			19	2.39	2.63	2.90	3.14	3.66	4.15								
			20	2.41	2.66	2.93	3.17	3.69	4.18								

■ NP for SC ■ RBP
■ NP for NC
 Do not exceed RBP
 Smallest references work only as SC



Beyond versatility



Ref: 00950201
 Rev: 2020-09-29

ihTEvolve fuses the best balloon technology (SC/NC) to go beyond versatility

PERFORMANCE AND VERSATILITY

Joining the best features from both balloon technologies (SC/NC) results in the most versatile balloon in the market.

AN INNOVATIVE COATING TO DUAL FUNCTION SC/NC

The new IHT coating technology enhances the relationship between navigability and compliance control.

COST-EFFICIENCY

Joining both balloon technologies allows ihTEvolve[®] to work as SC/NC, with lower consumptions.



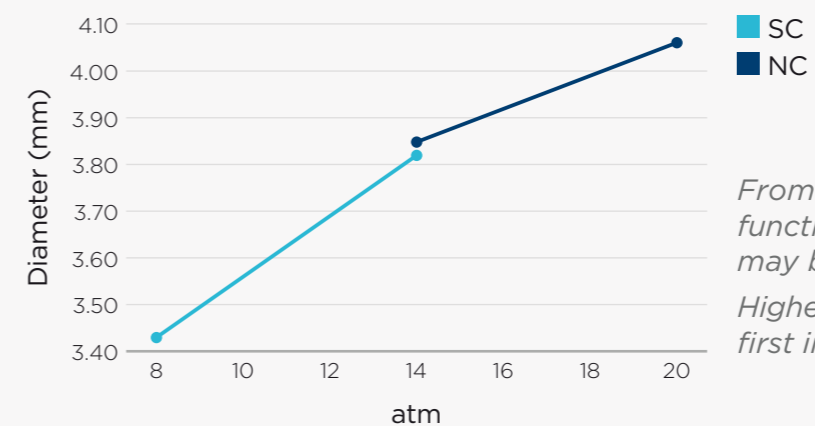
THE VERSATILITY OF ihTEVOLVE[®] OPTIMIZES THE PROCEDURE AND REDUCES COSTS

- ihTEvolve[®] is a high-performance balloon in pre- and post-dilatation.
- ihTEvolve[®] design allows a single reference to be used in any type of lesion.

DIFFERENTIATED COMPLIANCE

Depending on the pressure applied, ihTEvolve[®] is able to behave as a SC or NC balloon.

COMPLIANCE CHART



From 14 atm onwards, after function switching, both behaviors may be observed.
Higher compliance achieved in the first inflation than in the second.

SC

SC behavior
between 0 and 12 atm

NC

NC behavior
between 14 atm and RBP